



# MTI SAMPLE PROBE

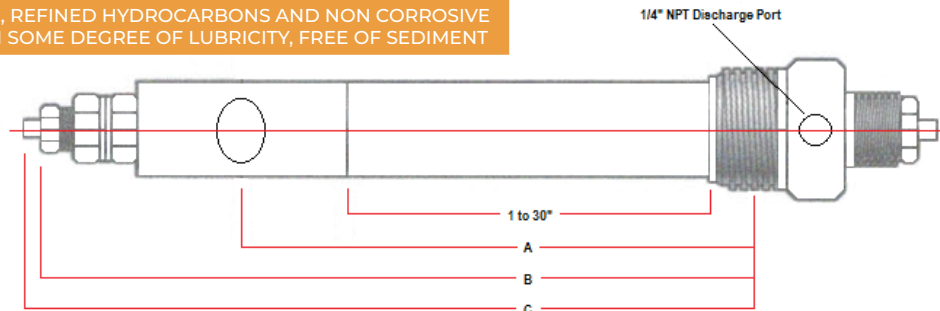
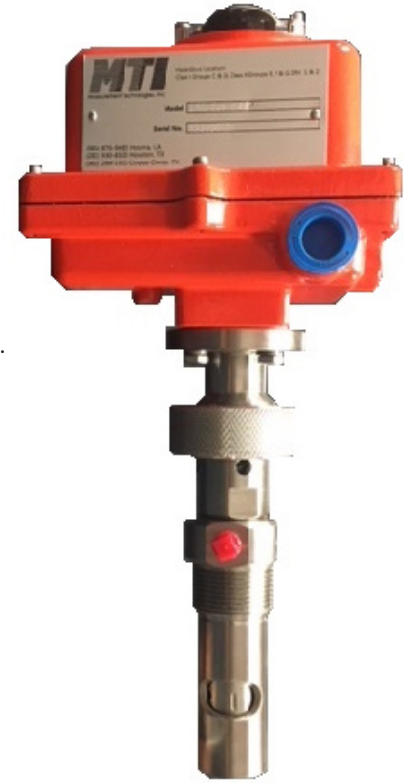
The MTI Sample Probe is designed to be mounted downstream of a static mixer and pulls a sample from the center of the flow stream. It is electrically motor operated and uses existing pipeline pressure to fill the sample chamber. The probe is offered with two sample size options to meet sample pot volume requirements.

## THE SAMPLE PROBE IS AVAILABLE IN TWO MODELS:

- MTI SP 1.5CC Sample Probe - Collects 1.5 CC sample per each 360 degree revolution.
- MTI SP 3CC Sample Probe - Collects 3 CC sample per each 360 degree revolution.

## SPECIFICATIONS

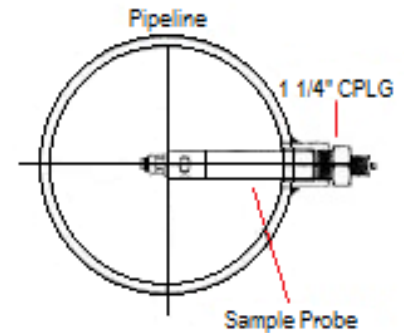
<b>OPERATING TEMPERATURE</b>	32°F TO 275°F (0°C TO 115°C)
<b>OPERATING PRESSURE</b>	10 - 50 PSI LOW PRESSURE 50 - 195 PSI STANDARD PRESSURE 195 TO 1,500 PSI WITH PRESSURE EQUALIZING VALVE (PEV)
<b>VISCOSITY</b>	5 - 300 CST AT OPERATING TEMPERATURE
<b>STANDARD MATERIAL</b>	HOUSING: 316 STAINLESS STEEL SEALS: BUNA, VITON®, TEFLON®
<b>SAMPLE GRAB SIZE</b>	1.5 CC OR 3 CC ±5%
<b>SAMPLE PROBE CONNECTION</b>	1-1/4" NPT
<b>DISCHARGE PORT SIZE</b>	1/4" NPT
<b>PIPELINE SIZE</b>	2" TO 48"
<b>FLUIDS SUITABLE FOR SAMPLING</b>	LIGHT CRUDE OIL, REFINED HYDROCARBONS AND NON CORROSIVE CHEMICALS WITH SOME DEGREE OF LUBRICITY, FREE OF SEDIMENT



## 1.5 CC & 3 CC SAMPLE PROBE DIMENSIONS

EXTENSION LENGTH (IN.)	A	B	C
0	2.13	4.88	5.13
1	3.13	5.88	6.13
3	5.13	7.88	8.13
4	6.13	8.88	9.13
5	7.13	9.88	10.13
6	8.13	10.88	11.13
8	10.13	12.88	13.13
10	12.13	14.88	15.13
12	14.12	16.88	17.13
14	16.13	18.88	19.13
16	18.13	20.88	21.13
18	20.13	22.88	23.13
20	22.13	24.88	25.13
22	24.13	26.88	27.13
24	26.13	28.88	29.13
26	28.13	30.88	31.13
28	32.88	33.13	35.44
30	32.13	34.88	35.13

EXTENSION LENGTH (IN.)	WEIGHT (LBS.)
0	C/F
1	C/F
3	C/F
4	C/F
5	C/F
6	C/F
8	C/F
10	C/F
12	C/F
14	C/F
16	C/F
18	C/F
20	C/F
22	C/F
24	C/F
26	C/F
28	C/F
30	C/F



NOTE: The probe length must be properly calculated to ensure the sample chamber is positioned in the center third of the pipeline.



# MTI SAMPLE PROBE

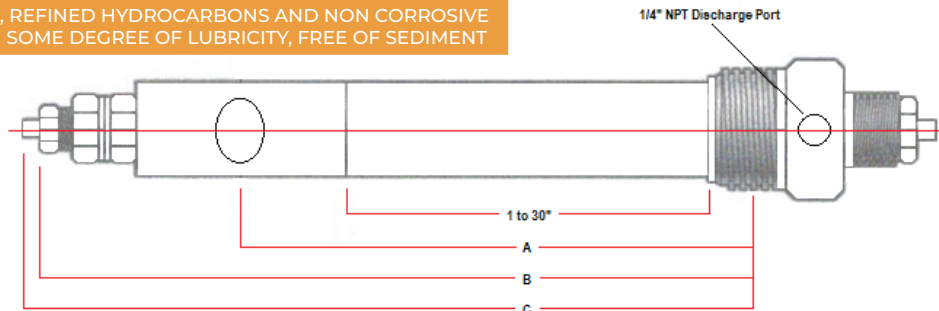
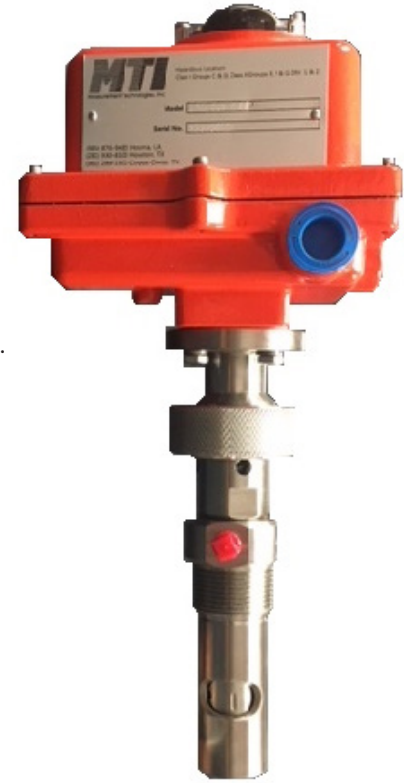
The MTI Sample Probe is designed to be mounted downstream of a static mixer and pulls a sample from the center of the flow stream. It is electrically motor operated and uses existing pipeline pressure to fill the sample chamber. The probe is offered with two sample size options to meet sample pot volume requirements.

## THE SAMPLE PROBE IS AVAILABLE IN TWO MODELS:

- MTI SP 1.5CC Sample Probe - Collects 1.5 CC sample per each 360 degree revolution.
- MTI SP 3CC Sample Probe - Collects 3 CC sample per each 360 degree revolution.

## SPECIFICATIONS

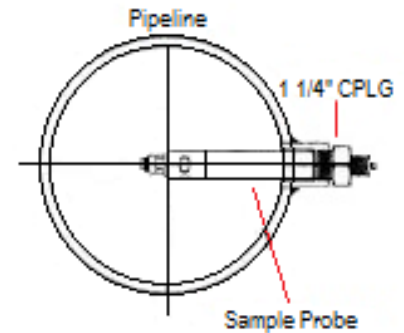
<b>OPERATING TEMPERATURE</b>	32°F TO 275°F (0°C TO 115°C)
<b>OPERATING PRESSURE</b>	10 - 50 PSI LOW PRESSURE 50 - 195 PSI STANDARD PRESSURE 195 TO 1,500 PSI WITH PRESSURE EQUALIZING VALVE (PEV)
<b>VISCOSITY</b>	5 - 300 CST AT OPERATING TEMPERATURE
<b>STANDARD MATERIAL</b>	HOUSING: 316 STAINLESS STEEL SEALS: BUNA, VITON®, TEFLON®
<b>SAMPLE GRAB SIZE</b>	1.5 CC OR 3 CC ±5%
<b>SAMPLE PROBE CONNECTION</b>	1-1/4" NPT
<b>DISCHARGE PORT SIZE</b>	1/4" NPT
<b>PIPELINE SIZE</b>	2" TO 48"
<b>FLUIDS SUITABLE FOR SAMPLING</b>	LIGHT CRUDE OIL, REFINED HYDROCARBONS AND NON CORROSIVE CHEMICALS WITH SOME DEGREE OF LUBRICITY, FREE OF SEDIMENT



## 1.5 CC & 3 CC SAMPLE PROBE DIMENSIONS

EXTENSION LENGTH (IN.)	A	B	C
0	2.13	4.88	5.13
1	3.13	5.88	6.13
3	5.13	7.88	8.13
4	6.13	8.88	9.13
5	7.13	9.88	10.13
6	8.13	10.88	11.13
8	10.13	12.88	13.13
10	12.13	14.88	15.13
12	14.12	16.88	17.13
14	16.13	18.88	19.13
16	18.13	20.88	21.13
18	20.13	22.88	23.13
20	22.13	24.88	25.13
22	24.13	26.88	27.13
24	26.13	28.88	29.13
26	28.13	30.88	31.13
28	32.88	33.13	35.44
30	32.13	34.88	35.13

EXTENSION LENGTH (IN.)	WEIGHT (LBS.)
0	C/F
1	C/F
3	C/F
4	C/F
5	C/F
6	C/F
8	C/F
10	C/F
12	C/F
14	C/F
16	C/F
18	C/F
20	C/F
22	C/F
24	C/F
26	C/F
28	C/F
30	C/F



NOTE: The probe length must be properly calculated to ensure the sample chamber is positioned in the center third of the pipeline.

# MTI SAMPLE MOTOR

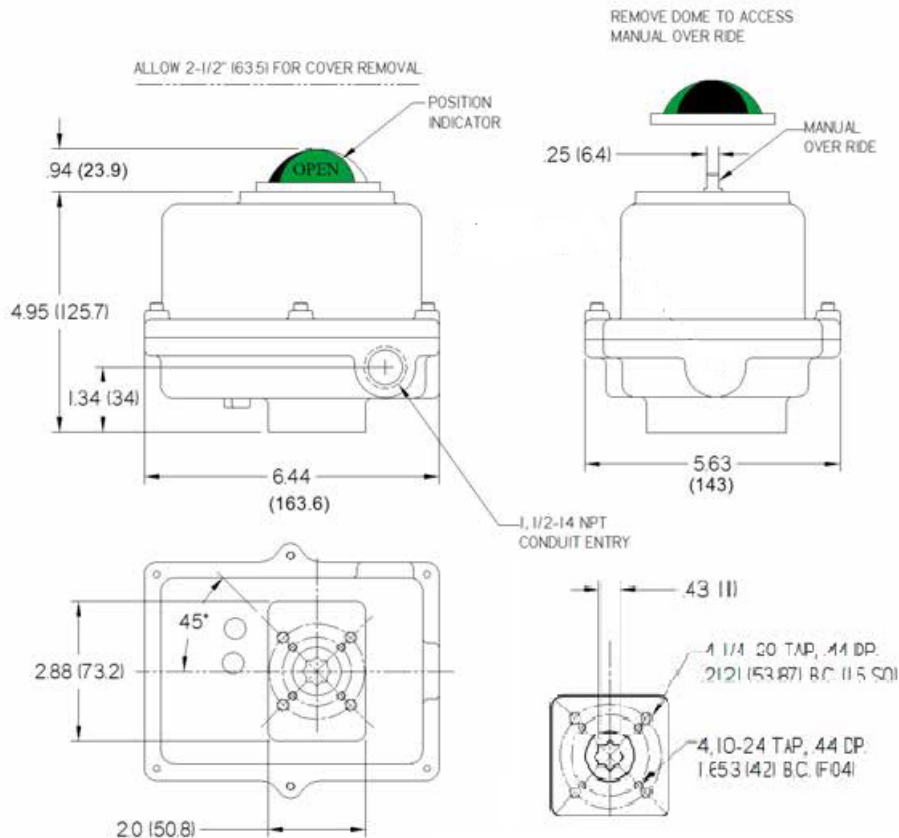
The MTI Sample Motor is designed to work with the MTI Sample Probe. This motor develops 100 In-Lbs. of torque and rotates from 0° to 360° in 9.5 Seconds. The Aluminum enclosure meets NEMA 7 specifications and its durable powder coat finish helps prevent corrosion. Sample motors can be ordered with an internal preset allowing the sample rate to be selected internally.

## THE SAMPLE MOTOR IS AVAILABLE IN FOUR MODELS:

- MTI SM 24 – 24V Motor
- MTI SM 24 P – 24V Motor with Preset
- MTI SM 120 – 120V Motor
- MTI SM 120 P – 120V Motor with Preset

## SPECIFICATIONS

<b>TORQUE</b>	100 IN-LBS.
<b>CYCLE TIME</b>	9.5 SEC / 360° 115 VAC & 230 VAC
<b>DUTY CYCLE</b>	25% (STANDARD) 115 VAC
<b>WEIGHT</b>	15 LBS.
<b>ENCLOSURE</b>	MEETS NEMA 7, CLASS I GROUP C&D CLASS II GROUP E, F & G DIV. 1&2 SPECS.
<b>COATING</b>	THERMALLY BONDED POLYESTER POWDER COAT
<b>POSITION INDICATOR</b>	VISUAL
<b>SWITCHES</b>	SPDT SNAP ACTION, 15 AMPS @ 250 VAC
<b>LUBRICATION</b>	PERMANENT
<b>WEIGHT</b>	10 LBS.
<b>TEMPERATURE RANGE</b>	-40°F TO 150° F
<b>OVERRIDE</b>	MANUAL, NON DECLUTCHING



Dimensions (mm)

# MTI UNION ASSEMBLY

The Union Assembly is designed to attach the sample motor to the sample probe. It is machined from 316 Stainless Steel and has been designed with leak detection ports as well as a seal point for security.



# MTI STEM DRIVE

The Stem Drive Coupling attaches to the probe stem and motor shaft and rotates the probe when the motor actuates.



# MTI SAMPLE POT

The MTI Sample Motor is available in 5, 10, 15, 20 & 30 Gallons. It comes standard with a 3 coat Carboline external paint and a Phenolic internal coating.

## COMPONENTS:

REVERSE BEVEL / QUICK OPENING ENCLOSURE

1 LBS. / 10 LBS. PSV AND +/- 30 PSI GAUGE ASSY.

ELECTRICAL LEVEL SWITCH

INTERNAL MIXING / SPRAY BAR

ACRYLIC INNER / OUTER SIGHT GLASS ASSY. WITH STAINLESS STEEL VALVES

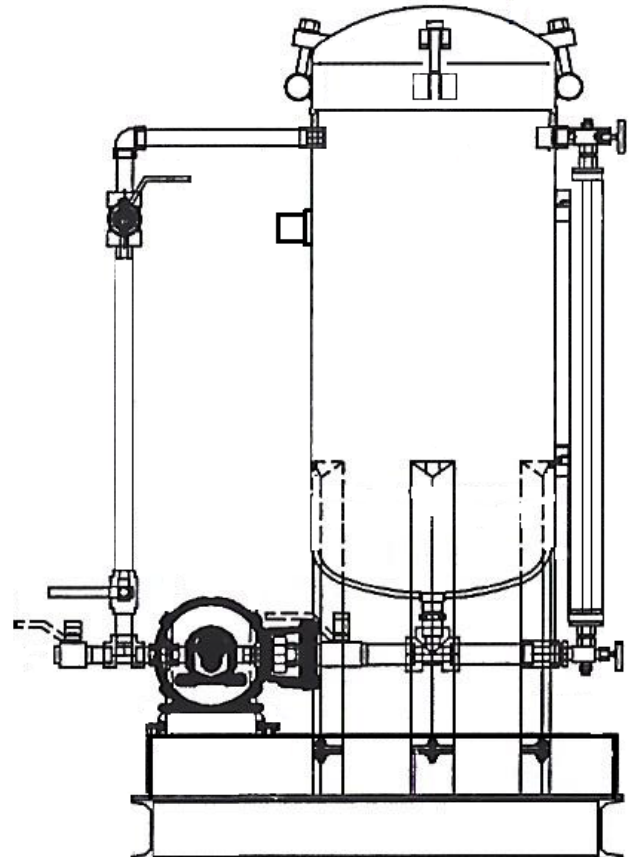
STAINLESS STEEL CIRCULATION PIPING AND VALVES

MIXING PUMP AND MOTOR

CONTAINMENT SKID

## SAMPLE CONTAINER BODY SIZE:

5 GALLON	10" PIPE
10 GALLON	12" PIPE
15 GALLON	14" PIPE
20 GALLON	16" PIPE
30 GALLON	18" PIPE





# MTI SAMPLE PROBE

The MTI Sample Probe is designed to be mounted downstream of a static mixer and pulls a sample from the center of the flow stream. It is electrically motor operated and uses existing pipeline pressure to fill the sample chamber. The probe is offered with two sample size options to meet sample pot volume requirements.

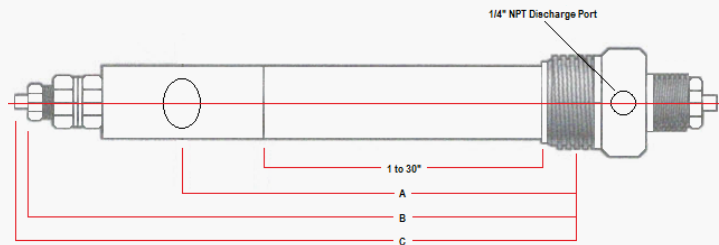
## THE SAMPLE PROBE IS AVAILABLE IN TWO MODELS:

- MTI SP 1.5CC Sample Probe - Collects 1.5 CC sample per each 360 degree revolution.
- MTI SP 3CC Sample Probe - Collects 3 CC sample per each 360 degree revolution.

## SPECIFICATIONS

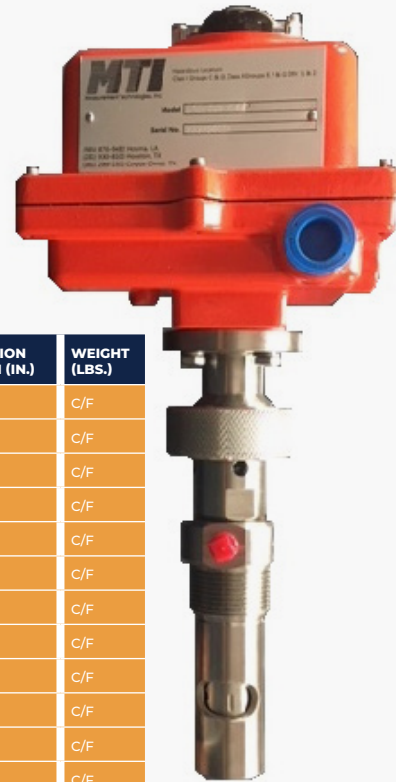
<b>OPERATING TEMPERATURE</b>	32°F TO 275°F (0°C TO 115°C)
<b>OPERATING PRESSURE</b>	10 - 50 PSI LOW PRESSURE 50 - 195 PSI STANDARD PRESSURE 195 TO 1,500 PSI WITH PRESSURE EQUALIZING VALVE (PEV)
<b>VISCOSITY</b>	5 - 300 CST AT OPERATING TEMPERATURE
<b>STANDARD MATERIAL</b>	HOUSING: 316 STAINLESS STEEL SEALS: BUNA, VITON®, TEFLON®
<b>SAMPLE GRAB SIZE</b>	1.5 CC OR 3 CC ±5%
<b>SAMPLE PROBE CONNEC-TION</b>	1-1/4" NPT
<b>DISCHARGE PORT SIZE</b>	1/4" NPT
<b>PIPELINE SIZE</b>	2" TO 48"
<b>FLUIDS SUITABLE FOR SAMPLING</b>	LIGHT CRUDE OIL, REFINED HYDROCARBONS AND NON CORROSIVE CHEMICALS WITH SOME DEGREE OF LUBRICITY, FREE OF SEDIMENT

NOTE: The probe length must be properly calculated to ensure the sample chamber is positioned in the center third of the pipeline.



## 1.5 CC & 3 CC SAMPLE PROBE DIMENSIONS

EXTENSION LENGTH (IN.)	A	B	C	EXTENSION LENGTH (IN.)	WEIGHT (LBS.)
0	2.13	4.88	5.13	0	C/F
1	3.13	5.88	6.13	1	C/F
3	5.13	7.88	8.13	3	C/F
4	6.13	8.88	9.13	4	C/F
5	7.13	9.88	10.13	5	C/F
6	8.13	10.88	11.13	6	C/F
8	10.13	12.88	13.13	8	C/F
10	12.13	14.88	15.13	10	C/F
12	14.12	16.88	17.13	12	C/F
14	16.13	18.88	19.13	14	C/F
16	18.13	20.88	21.13	16	C/F
18	20.13	22.88	23.13	18	C/F
20	22.13	24.88	25.13	20	C/F
22	24.13	26.88	27.13	22	C/F
24	26.13	28.88	29.13	24	C/F
26	28.13	30.88	31.13	26	C/F
28	32.88	33.13	35.44	28	C/F
30	32.13	34.88	35.13	30	C/F



# MTI SAMPLE MOTOR

The MTI Sample Motor is designed to work with the MTI Sample Probe. This motor develops 100 In-Lbs. of torque and rotates from 0° to 360° in 9.5 Seconds. The Aluminum enclosure meets NEMA 7 specifications and its durable powder coat finish helps prevent corrosion. Sample motors can be ordered with an internal preset allowing the sample rate to be selected internally.

## THE SAMPLE MOTOR IS AVAILABLE IN FOUR MODELS:

- MTI SM 24 - 24V Motor
- MTI SM 24 P - 24V Motor with Preset
- MTI SM 120 - 120V Motor
- MTI SM 120 P - 120V Motor with Preset

## SPECIFICATIONS

<b>TORQUE</b>	100 IN-LBS.
<b>CYCLE TIME</b>	9.5 SEC / 360° 115 VAC & 230 VAC
<b>DUTY CYCLE</b>	25% (STANDARD) 115 VAC
<b>WEIGHT</b>	15 LBS.
<b>ENCLOSURE</b>	MEETS NEMA 7, CLASS I GROUP C&D CLASS II GROUP E, F & G DIV. 1&2 SPECS.
<b>COATING</b>	THERMALLY BONDED POLYESTER POWDER COAT
<b>POSITION INDICATOR</b>	VISUAL
<b>SWITCHES</b>	SPDT SNAP ACTION, 15 AMPS @ 250 VAC
<b>LUBRICATION</b>	PERMANENT
<b>WEIGHT</b>	10 LBS.
<b>TEMPERATURE RANGE</b>	-40°F TO 150° F
<b>OVERRIDE</b>	MANUAL, NON DECLUTCHING

# MTI UNION ASSEMBLY

The Union Assembly is designed to attach the sample motor to the sample probe. It is machined from 316 Stainless Steel and has been designed with leak detection ports as well as a seal point for security.

# MTI STEM DRIVE

The Stem Drive Coupling attaches to the probe stem and motor shaft and rotates the probe when the motor actuates.

# MTI SAMPLE POT

The MTI Sample Motor is available in 5, 10, 15, 20 & 30 Gallons. It comes standard with a 3 coat Carboline external paint and a Phenolic internal coating.

## COMPONENTS:

REVERSE BEVEL / QUICK OPENING ENCLOSURE
1 LBS. / 10 LBS. PSV AND +/- 30 PSI GAUGE ASSY.
ELECTRICAL LEVEL SWITCH
INTERNAL MIXING / SPRAY BAR
ACRYLIC INNER / OUTER SIGHT GLASS ASSY. WITH STAINLESS STEEL VALVES
STAINLESS STEEL CIRCULATION PIPING AND VALVES
MIXING PUMP AND MOTOR
CONTAINMENT SKID

## SAMPLE CONTAINER BODY SIZE:

5 GALLON	10" PIPE
10 GALLON	12" PIPE
15 GALLON	14" PIPE
20 GALLON	16" PIPE
30 GALLON	18" PIPE