



MTI SAMPLE PROBE

The MTI Sample Probe is designed to be mounted downstream of a static mixer and pulls a sample from the center of the flow stream. It is electrically motor operated and uses existing pipeline pressure to fill the sample chamber. The probe is offered with two sample size options to meet sample pot volume requirements.

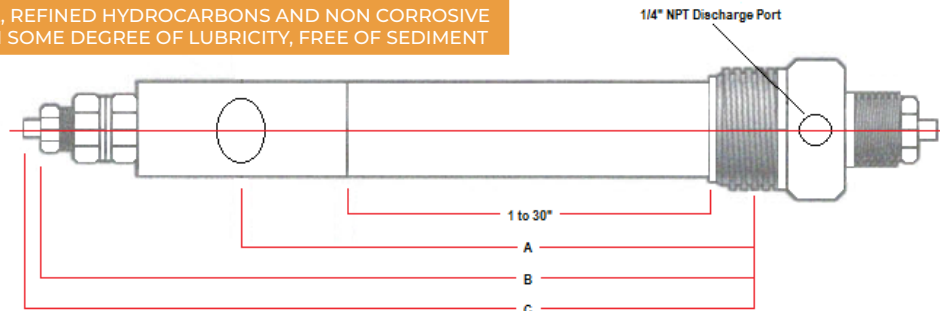
THE SAMPLE PROBE IS AVAILABLE IN TWO MODELS:

- MTI SP 1.5CC Sample Probe - Collects 1.5 CC sample per each 360 degree revolution.
- MTI SP 3CC Sample Probe - Collects 3 CC sample per each 360 degree revolution.



SPECIFICATIONS

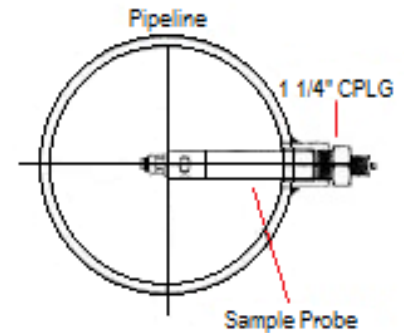
OPERATING TEMPERATURE	32°F TO 275°F (0°C TO 115°C)
OPERATING PRESSURE	10 - 50 PSI LOW PRESSURE 50 - 195 PSI STANDARD PRESSURE
VISCOSITY	5 - 300 CST AT OPERATING TEMPERATURE
STANDARD MATERIAL	HOUSING: 316 STAINLESS STEEL SEALS: BUNA, VITON®, TEFLON®
SAMPLE GRAB SIZE	1.5 CC OR 3 CC ±5%
SAMPLE PROBE CONNECTION	1-1/4" NPT
DISCHARGE PORT SIZE	1/4" NPT
PIPELINE SIZE	2" TO 48"
FLUIDS SUITABLE FOR SAMPLING	LIGHT CRUDE OIL, REFINED HYDROCARBONS AND NON CORROSIVE CHEMICALS WITH SOME DEGREE OF LUBRICITY, FREE OF SEDIMENT



1.5 CC & 3 CC SAMPLE PROBE DIMENSIONS

EXTENSION LENGTH (IN.)	A	B	C
0	2.13	4.88	5.13
1	3.13	5.88	6.13
3	5.13	7.88	8.13
4	6.13	8.88	9.13
5	7.13	9.88	10.13
6	8.13	10.88	11.13
8	10.13	12.88	13.13
10	12.13	14.88	15.13
12	14.12	16.88	17.13
14	16.13	18.88	19.13
16	18.13	20.88	21.13
18	20.13	22.88	23.13
20	22.13	24.88	25.13
22	24.13	26.88	27.13
24	26.13	28.88	29.13
26	28.13	30.88	31.13
28	32.88	33.13	35.44
30	32.13	34.88	35.13

EXTENSION LENGTH (IN.)	WEIGHT (LBS.)
0	C/F
1	C/F
3	C/F
4	C/F
5	C/F
6	C/F
8	C/F
10	C/F
12	C/F
14	C/F
16	C/F
18	C/F
20	C/F
22	C/F
24	C/F
26	C/F
28	C/F
30	C/F



NOTE: The probe length must be properly calculated to ensure the sample chamber is positioned in the center third of the pipeline.

MTI SAMPLE MOTOR

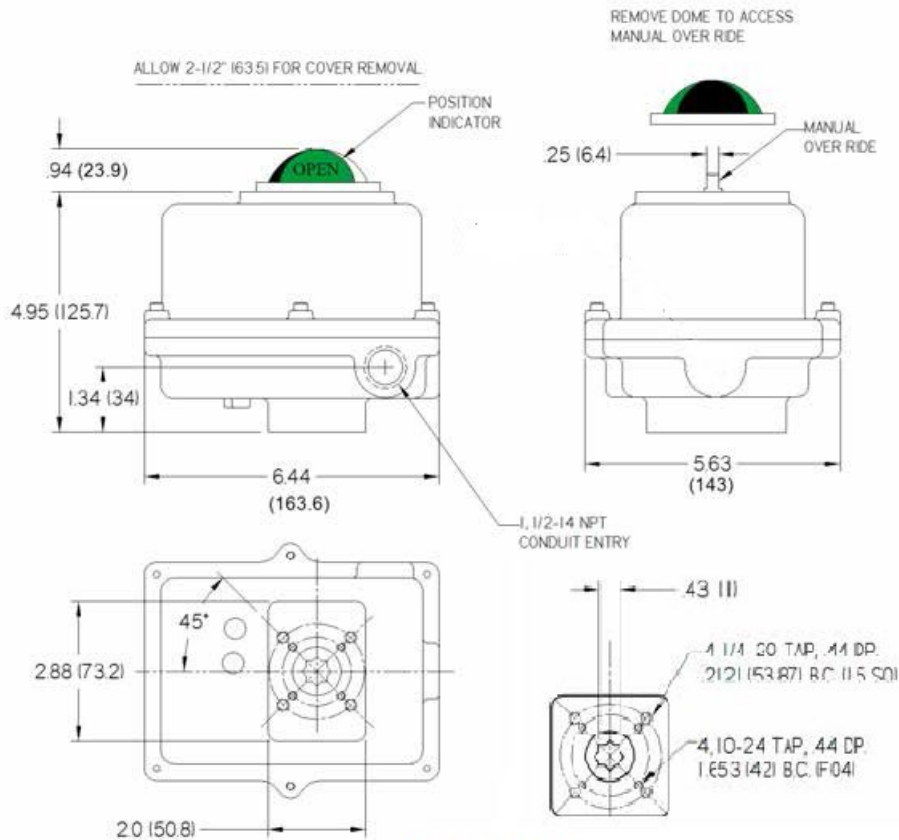
The MTI Sample Motor is designed to work with the MTI Sample Probe. This motor develops 100 In-Lbs. of torque and rotates from 0° to 360° in 9.5 Seconds. The Aluminum enclosure meets NEMA 7 specifications and its durable powder coat finish helps prevent corrosion. Sample motors can be ordered with an internal preset allowing the sample rate to be selected internally.

THE SAMPLE MOTOR IS AVAILABLE IN FOUR MODELS:

- MTI SM 24 – 24V Motor
- MTI SM 24 P – 24V Motor with Preset
- MTI SM 120 – 120V Motor
- MTI SM 120 P – 120V Motor with Preset

SPECIFICATIONS

TORQUE	100 IN-LBS.
CYCLE TIME	9.5 SEC / 360° 115 VAC & 230 VAC
DUTY CYCLE	25% (STANDARD) 115 VAC
WEIGHT	15 LBS.
ENCLOSURE	MEETS NEMA 7, CLASS I GROUP C&D CLASS II GROUP E, F & G DIV. 1&2 SPECS.
COATING	THERMALLY BONDED POLYESTER POWDER COAT
POSITION INDICATOR	VISUAL
SWITCHES	SPDT SNAP ACTION, 15 AMPS @ 250 VAC
LUBRICATION	PERMANENT
WEIGHT	10 LBS.
TEMPERATURE RANGE	-40°F TO 150° F
OVERRIDE	MANUAL, NON DECLUTCHING



Dimensions (mm)

MTI UNION ASSEMBLY

The Union Assembly is designed to attach the sample motor to the sample probe. It is machined from 316 Stainless Steel and has been designed with leak detection ports as well as a seal point for security.



MTI STEM DRIVE

The Stem Drive Coupling attaches to the probe stem and motor shaft and rotates the probe when the motor actuates.



MTI SAMPLE POT

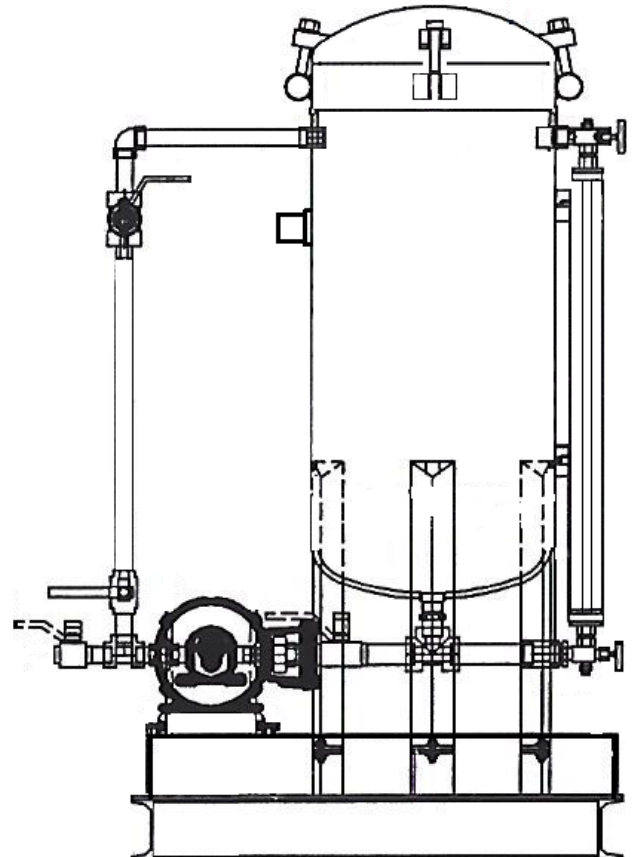
The MTI Sample Motor is available in 5, 10, 15, 20 & 30 Gallons. It comes standard with a 3 coat Carboline external paint and a Phenolic internal coating.

COMPONENTS:

- REVERSE BEVEL / QUICK OPENING ENCLOSURE
- 1 LBS. / 10 LBS. PSV AND +/- 30 PSI GAUGE ASSY.
- ELECTRICAL LEVEL SWITCH
- INTERNAL MIXING / SPRAY BAR
- ACRYLIC INNER / OUTER SIGHT GLASS ASSY. WITH STAINLESS STEEL VALVES
- STAINLESS STEEL CIRCULATION PIPING AND VALVES
- MIXING PUMP AND MOTOR
- CONTAINMENT SKID

SAMPLE CONTAINER BODY SIZE:

5 GALLON	10" PIPE
10 GALLON	12" PIPE
15 GALLON	14" PIPE
20 GALLON	16" PIPE
30 GALLON	18" PIPE





MTI SAMPLE PROBE

The MTI Sample Probe is designed to be mounted downstream of a static mixer and pulls a sample from the center of the flow stream. It is electrically motor operated and uses existing pipeline pressure to fill the sample chamber. The probe is offered with two sample size options to meet sample pot volume requirements.

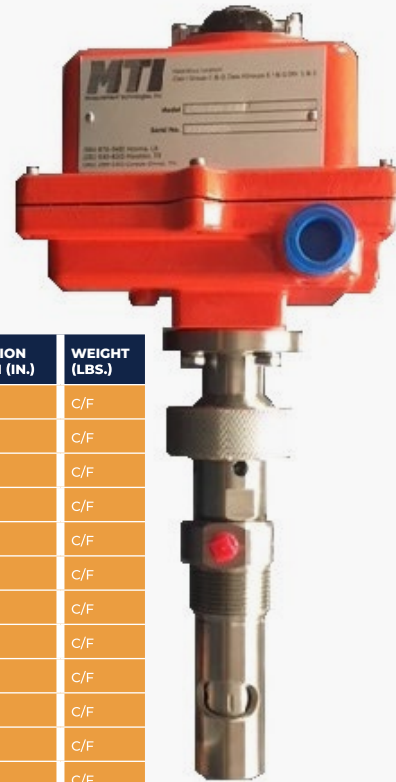
THE SAMPLE PROBE IS AVAILABLE IN TWO MODELS:

- MTI SP 1.5CC Sample Probe - Collects 1.5 CC sample per each 360 degree revolution.
- MTI SP 3CC Sample Probe - Collects 3 CC sample per each 360 degree revolution.

SPECIFICATIONS

OPERATING TEMPERATURE	32°F TO 275°F (0°C TO 115°C)
OPERATING PRESSURE	10 - 50 PSI LOW PRESSURE 50 - 195 PSI STANDARD PRESSURE
VISCOSITY	5 - 300 CST AT OPERATING TEMPERATURE
STANDARD MATERIAL	HOUSING: 316 STAINLESS STEEL SEALS: BUNA, VITON®, TEFLON®
SAMPLE GRAB SIZE	1.5 CC OR 3 CC ±5%
SAMPLE PROBE CONNECTION	1-1/4" NPT
DISCHARGE PORT SIZE	1/4" NPT
PIPELINE SIZE	2" TO 48"
FLUIDS SUITABLE FOR SAMPLING	LIGHT CRUDE OIL, REFINED HYDROCARBONS AND NON CORROSIVE CHEMICALS WITH SOME DEGREE OF LUBRICITY, FREE OF SEDIMENT

NOTE: The probe length must be properly calculated to ensure the sample chamber is positioned in the center third of the pipeline.



1.5 CC & 3 CC SAMPLE PROBE DIMENSIONS

EXTENSION LENGTH (IN.)	A	B	C	EXTENSION LENGTH (IN.)	WEIGHT (LBS.)
0	2.13	4.88	5.13	0	C/F
1	3.13	5.88	6.13	1	C/F
3	5.13	7.88	8.13	3	C/F
4	6.13	8.88	9.13	4	C/F
5	7.13	9.88	10.13	5	C/F
6	8.13	10.88	11.13	6	C/F
8	10.13	12.88	13.13	8	C/F
10	12.13	14.88	15.13	10	C/F
12	14.12	16.88	17.13	12	C/F
14	16.13	18.88	19.13	14	C/F
16	18.13	20.88	21.13	16	C/F
18	20.13	22.88	23.13	18	C/F
20	22.13	24.88	25.13	20	C/F
22	24.13	26.88	27.13	22	C/F
24	26.13	28.88	29.13	24	C/F
26	28.13	30.88	31.13	26	C/F
28	32.88	33.13	35.44	28	C/F
30	32.13	34.88	35.13	30	C/F

MTI SAMPLE MOTOR

The MTI Sample Motor is designed to work with the MTI Sample Probe. This motor develops 100 In-Lbs. of torque and rotates from 0° to 360° in 9.5 Seconds. The Aluminum enclosure meets NEMA 7 specifications and its durable powder coat finish helps prevent corrosion. Sample motors can be ordered with an internal preset allowing the sample rate to be selected internally.

THE SAMPLE MOTOR IS AVAILABLE IN FOUR MODELS:

- MTI SM 24 - 24V Motor
- MTI SM 24 P - 24V Motor with Preset
- MTI SM 120 - 120V Motor
- MTI SM 120 P - 120V Motor with Preset

SPECIFICATIONS

TORQUE	100 IN.-LBS.
CYCLE TIME	9.5 SEC / 360° 115 VAC & 230 VAC
DUTY CYCLE	25% (STANDARD) 115 VAC
WEIGHT	15 LBS.
ENCLOSURE	MEETS NEMA 7, CLASS I GROUP C&D CLASS II GROUP E, F & G DIV. 1&2 SPECS.
COATING	THERMALLY BONDED POLYESTER POWDER COAT
POSITION INDICATOR	VISUAL
SWITCHES	SPDT SNAP ACTION, 15 AMPS @ 250 VAC
LUBRICATION	PERMANENT
WEIGHT	10 LBS.
TEMPERATURE RANGE	-40°F TO 150° F
OVERRIDE	MANUAL, NON DECLUTCHING

MTI UNION ASSEMBLY

The Union Assembly is designed to attach the sample motor to the sample probe. It is machined from 316 Stainless Steel and has been designed with leak detection ports as well as a seal point for security.

MTI STEM DRIVE

The Stem Drive Coupling attaches to the probe stem and motor shaft and rotates the probe when the motor actuates.

MTI SAMPLE POT

The MTI Sample Motor is available in 5, 10, 15, 20 & 30 Gallons. It comes standard with a 3 coat Carboline external paint and a Phenolic internal coating.

COMPONENTS:

REVERSE BEVEL / QUICK OPENING ENCLOSURE
1 LBS. / 10 LBS. PSV AND +/- 30 PSI GAUGE ASSY.
ELECTRICAL LEVEL SWITCH
INTERNAL MIXING / SPRAY BAR
ACRYLIC INNER / OUTER SIGHT GLASS ASSY. WITH STAINLESS STEEL VALVES
STAINLESS STEEL CIRCULATION PIPING AND VALVES
MIXING PUMP AND MOTOR
CONTAINMENT SKID

SAMPLE CONTAINER BODY SIZE:

5 GALLON	10" PIPE
10 GALLON	12" PIPE
15 GALLON	14" PIPE
20 GALLON	16" PIPE
30 GALLON	18" PIPE